



Cambridge IGCSE™

CANDIDATE NAME



CENTRE NUMBER

--	--	--	--	--

CANDIDATE NUMBER

--	--	--	--



MATHEMATICS

0580/11

Paper 1 (Core)

October/November 2024

1 hour

You must answer on the question paper.

You will need: Geometrical instruments

INSTRUCTIONS

- Answer **all** questions.
- Use a black or dark blue pen. You may use an HB pencil for any diagrams or graphs.
- Write your name, centre number and candidate number in the boxes at the top of the page.
- Write your answer to each question in the space provided.
- Do **not** use an erasable pen or correction fluid.
- Do **not** write on any bar codes.
- You should use a calculator where appropriate.
- You may use tracing paper.
- You must show all necessary working clearly.
- Give non-exact numerical answers correct to 3 significant figures, or 1 decimal place for angles in degrees, unless a different level of accuracy is specified in the question.
- For π , use either your calculator value or 3.142.

INFORMATION

- The total mark for this paper is 56.
- The number of marks for each question or part question is shown in brackets [].

This document has **12** pages.





- 1 Jacob is 10 years 8 months old.
Amy is 15 months younger than Jacob.

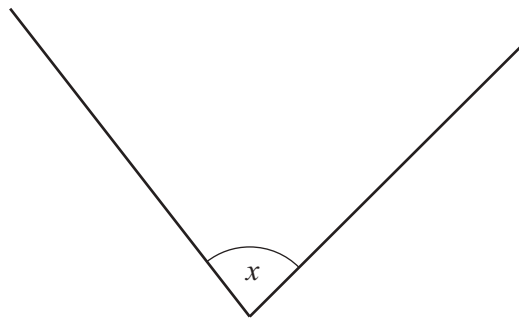
Find how old Amy is.

..... years months [1]

- 2 Change 6.7 kilometres to metres.

..... m [1]

3



- (a) Measure angle x .

Angle $x =$ [1]

- (b) Write down the mathematical name for this type of angle.

..... [1]

- 4 A concert starts at 19 50 and finishes 2 hours 42 minutes later.

Work out the time the concert finishes.

..... [1]





5 Use one of these symbols $<$, $>$ or $=$ to make each statement true.

$$\frac{2}{7} \dots\dots\dots 0.2861$$

$$\frac{99}{900} \dots\dots\dots 11\%$$

$$1^3 \dots\dots\dots 4^0$$

[2]

6 The stem-and-leaf diagram shows the number of cars sold each day by a company.

1	0 3 4 5 6 7
2	1 2 2 4 7 7 7
3	0 0 1 2 2 5 6 8
4	0 1 4 6
5	1 2 4

Key: 3 | 2 represents 32

(a) Find the range.

..... [1]

(b) Find the mode.

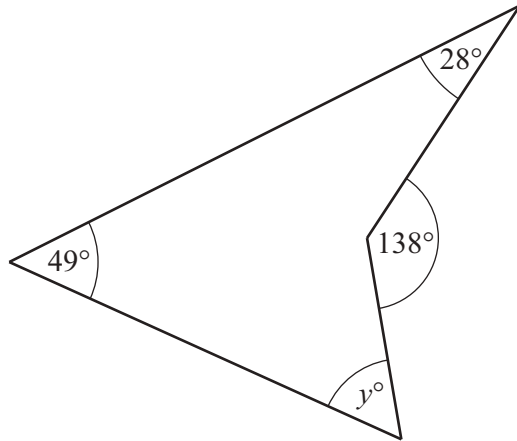
..... [1]

7 Find the reciprocal of $1\frac{1}{4}$.

..... [1]



DO NOT WRITE IN THIS MARGIN



NOT TO SCALE

The diagram shows a quadrilateral.

Find the value of y .

$y = \dots\dots\dots [2]$

- 9 Edith invests \$3000 in a savings account. The account pays simple interest at a rate of 2.6% per year.

Calculate the total interest earned during the 3 years.

\$ $\dots\dots\dots [2]$

DO NOT WRITE IN THIS MARGIN





10 (a) These are the first four terms of a sequence.

10 16 22 28

Write down the next term in the sequence.

..... [1]

(b) The term to term rule for another sequence is multiply by 3 and subtract 1.
The fourth term in the sequence is 68.

Find the third term in the sequence.

..... [2]

11 The circumference of a wheel is 198.55 cm.

Calculate the diameter of the wheel.
Give your answer in millimetres.

..... mm [3]

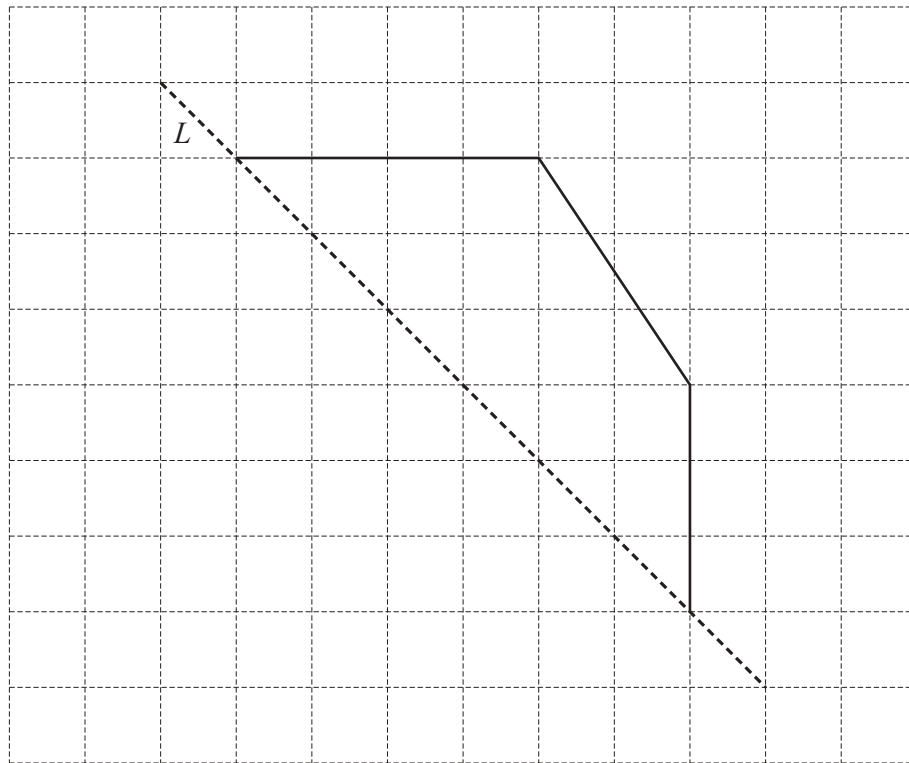


DO NOT WRITE IN THIS MARGIN



12 The grid shows half of a shape which has a line of symmetry, L .

Complete the shape.



[2]

13 (a) Find the value of $6c + 7d$ when $c = 3$ and $d = -4$.

..... [2]

(b) Solve.

$$6x + 8 = 11x + 4$$

$x =$ [2]





14 Write 34 as a percentage of 80.

..... % [1]

15 A bus stops 25 times on a journey.
The table shows the number of people who get on the bus at each stop.

Number of people	Frequency
0	1
1	6
2	7
3	4
4	5
5	2

Calculate the mean.

..... [3]

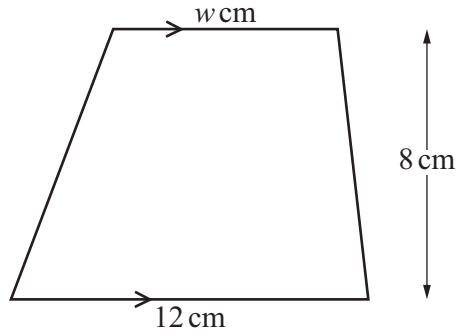


DO NOT WRITE IN THIS MARGIN



16

8



NOT TO SCALE

The diagram shows a trapezium with parallel sides of length 12 cm and w cm.
 The height of the trapezium is 8 cm.
 The area of the trapezium is 78 cm^2 .

Find the value of w .

$w = \dots\dots\dots$ [2]

17 A distance, d metres, measures 34.6 m, correct to the nearest 0.1 m.

Complete this statement about the value of d .

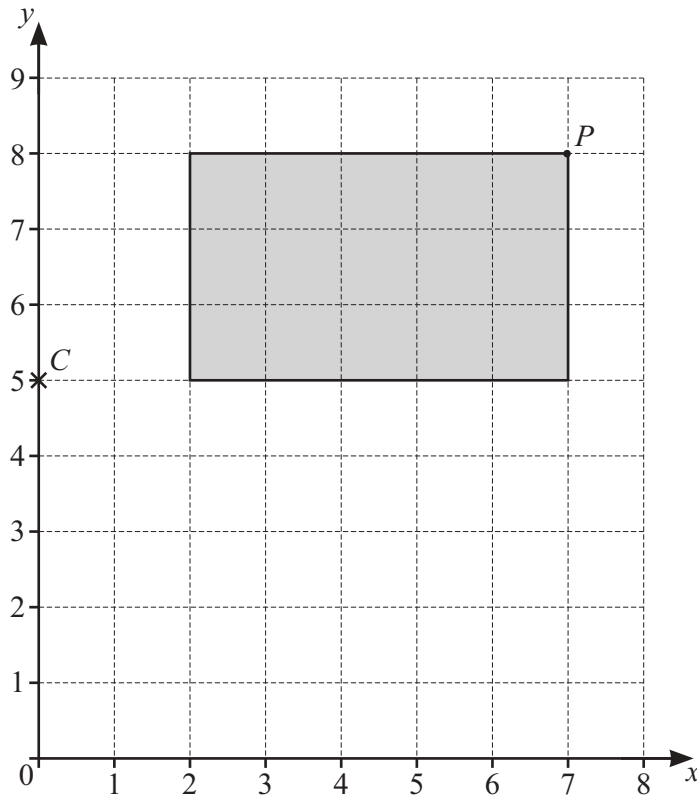
$\dots\dots\dots \leq d < \dots\dots\dots$ [2]

DO NOT WRITE IN THIS MARGIN





18 The diagram shows a rectangle and two points, P and C , on a 1 cm^2 grid.



(a) Write down the coordinates of point C .

(..... ,) [1]

(b) The rectangle is enlarged by scale factor 2 with centre of enlargement point C .

Find the coordinates of the image of point P .

(..... ,) [2]

(c) Find the area of the enlarged rectangle.

..... cm^2 [1]



DO NOT WRITE IN THIS MARGIN

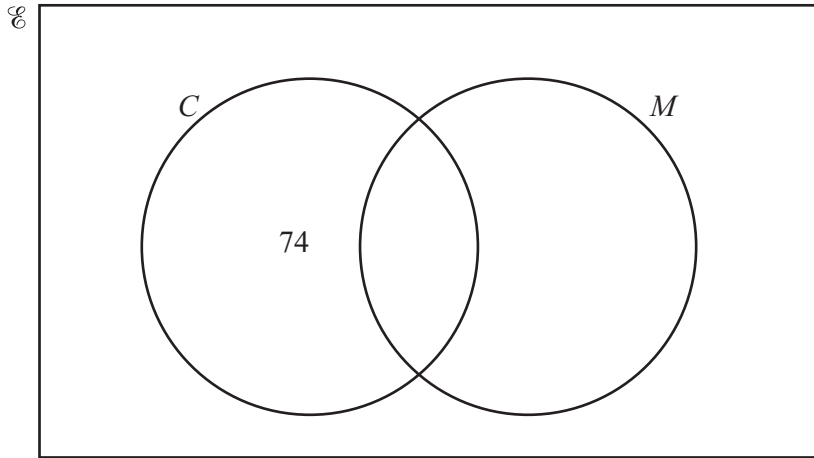


19 Jo asks some people if they own a car (C) and if they own a motorbike (M).

86 people own a car.

39 people own a motorbike.

7 people do not own a car and do not own a motorbike.



(a) Complete the Venn diagram.

[2]

(b) Find the total number of people that Jo asks.

..... [1]

(c) Write down $n(C \cap M)$.

..... [1]

20 Josh buys a car for \$7800 and sells it for \$5265.

Calculate his percentage loss.

..... % [2]

DO NOT WRITE IN THIS MARGIN

DO NOT WRITE IN THIS MARGIN

DO NOT WRITE IN THIS MARGIN

DO NOT WRITE IN THIS MARGIN

DO NOT WRITE IN THIS MARGIN





21 (a) Factorise.
 $28x - 35$

..... [1]

(b) Make r the subject of the formula $T = \frac{r}{4} - p$.

$r =$ [2]

22 Solve the simultaneous equations.
You must show all your working.

$$\begin{aligned} 5x + 6y &= 9 \\ 3x - 2y &= -17 \end{aligned}$$

$x =$
 $y =$ [3]

Questions 23 and 24 are printed on the next page.



DO NOT WRITE IN THIS MARGIN

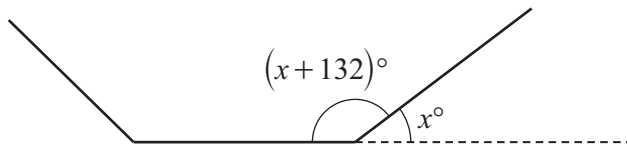


23 Without using a calculator, work out $5\frac{1}{3} - 3\frac{4}{7}$.

You must show all your working and give your answer as a mixed number in its simplest form.

..... [3]

24



NOT TO SCALE

The diagram shows part of a regular polygon.
The interior angle of the polygon is 132° larger than the exterior angle.

Calculate the number of sides of this polygon.

..... [3]

Permission to reproduce items where third-party owned material protected by copyright is included has been sought and cleared where possible. Every reasonable effort has been made by the publisher (UCLES) to trace copyright holders, but if any items requiring clearance have unwittingly been included, the publisher will be pleased to make amends at the earliest possible opportunity.

To avoid the issue of disclosure of answer-related information to candidates, all copyright acknowledgements are reproduced online in the Cambridge Assessment International Education Copyright Acknowledgements Booklet. This is produced for each series of examinations and is freely available to download at www.cambridgeinternational.org after the live examination series.

Cambridge Assessment International Education is part of Cambridge Assessment. Cambridge Assessment is the brand name of the University of Cambridge Local Examinations Syndicate (UCLES), which is a department of the University of Cambridge.

